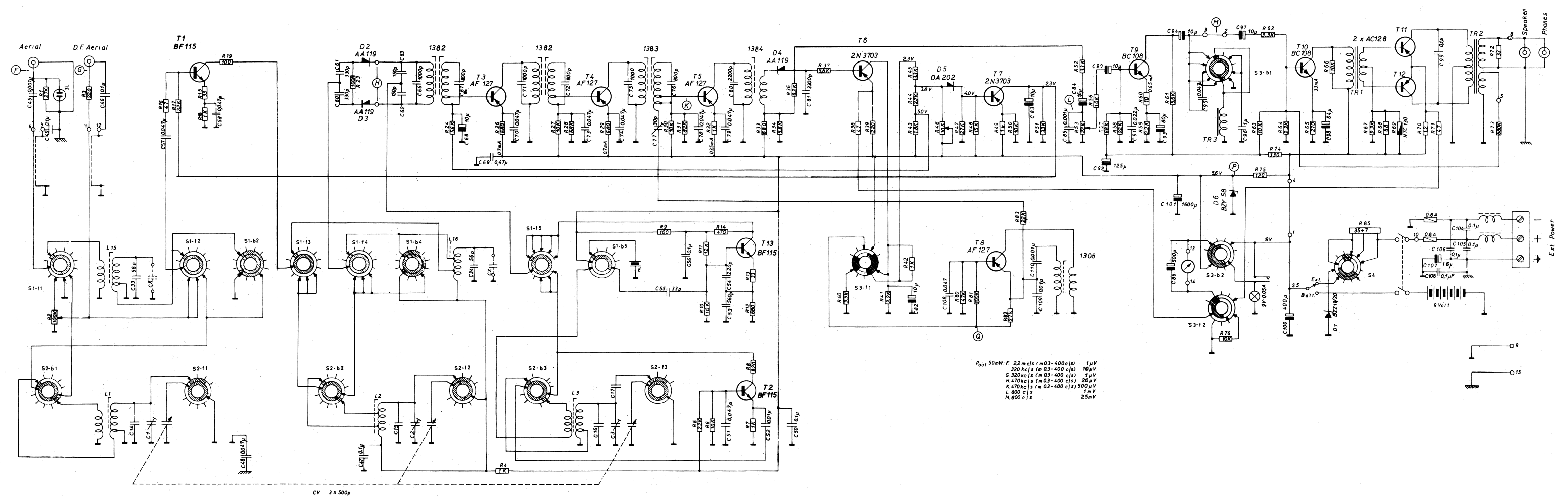
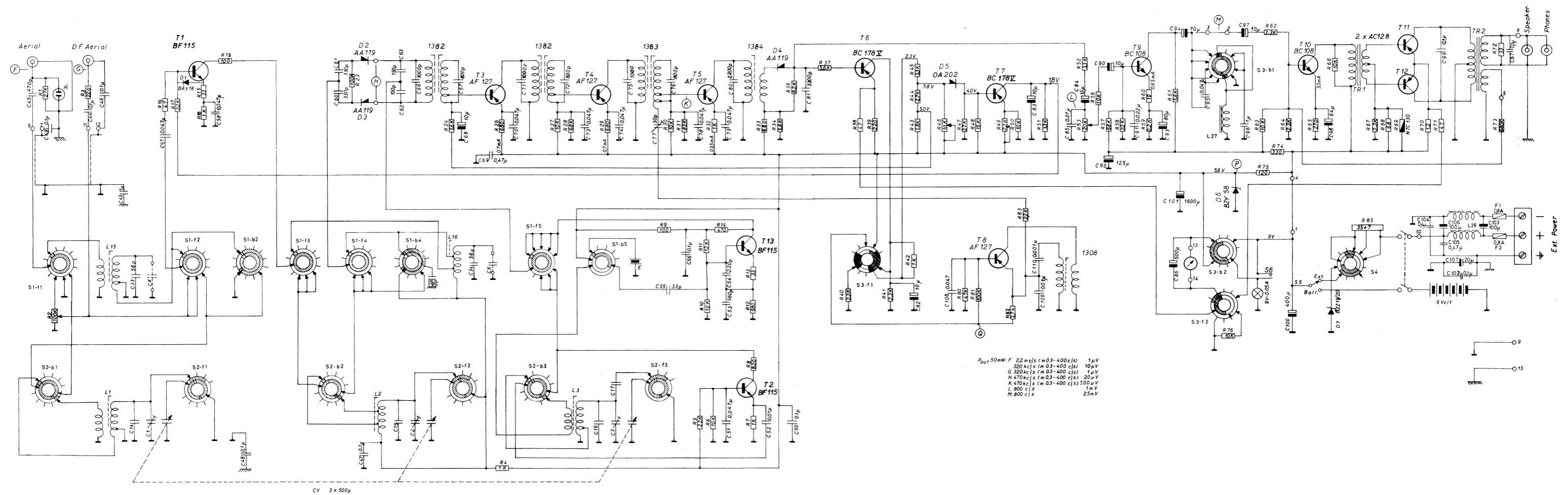


All switches are viewed from knob-end and with rotor in extreme anti-clockwise position.
 Tuned circuits are shown only for channel E and SW-band.

Dette diagram omfatter SAILOR 66T, serie A.
 Dieses Schaltschema betrifft SAILOR 66 T, Serie A.
 This diagram refers to SAILOR 66 T, series A.
 Ce schéma comprend SAILOR 66 T, série A.
 Este diagrama comprende SAILOR 66 T, serie A.



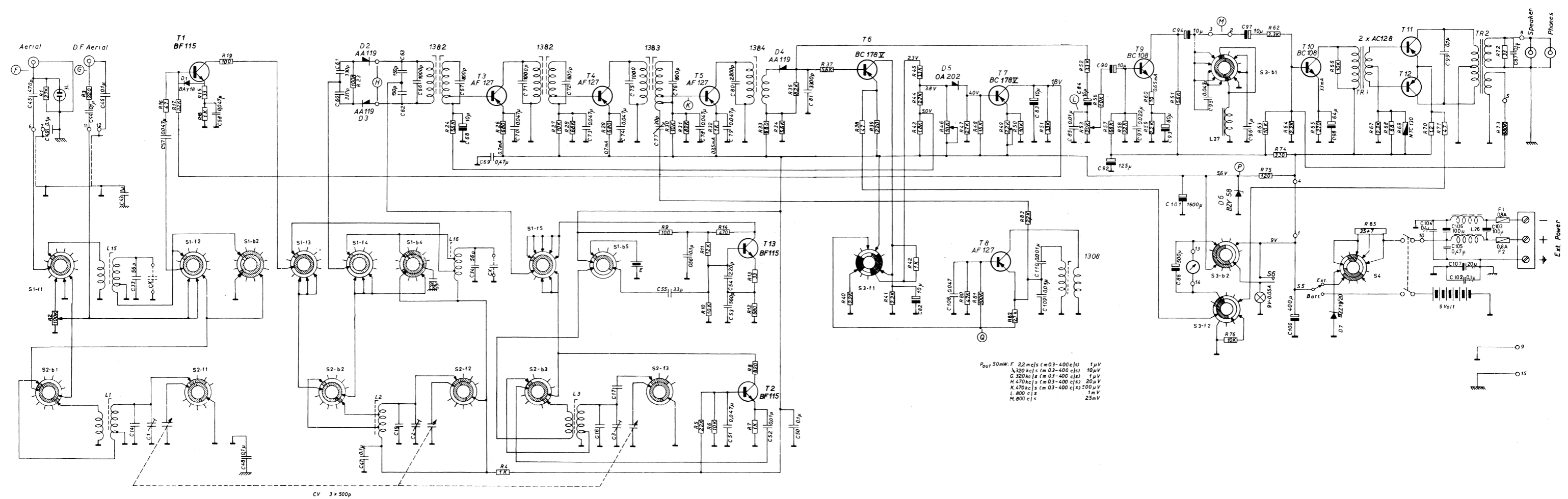
Dette diagram omfatter SAILOR 66T, serie B.
 Dieses Schaltschema betrifft SAILOR 66T, Serie B.
 This diagram refers to SAILOR 66T, series B.
 Ce schéma comprend SAILOR 66T, série B.
 Este diagrama comprende SAILOR 66T, serie B.



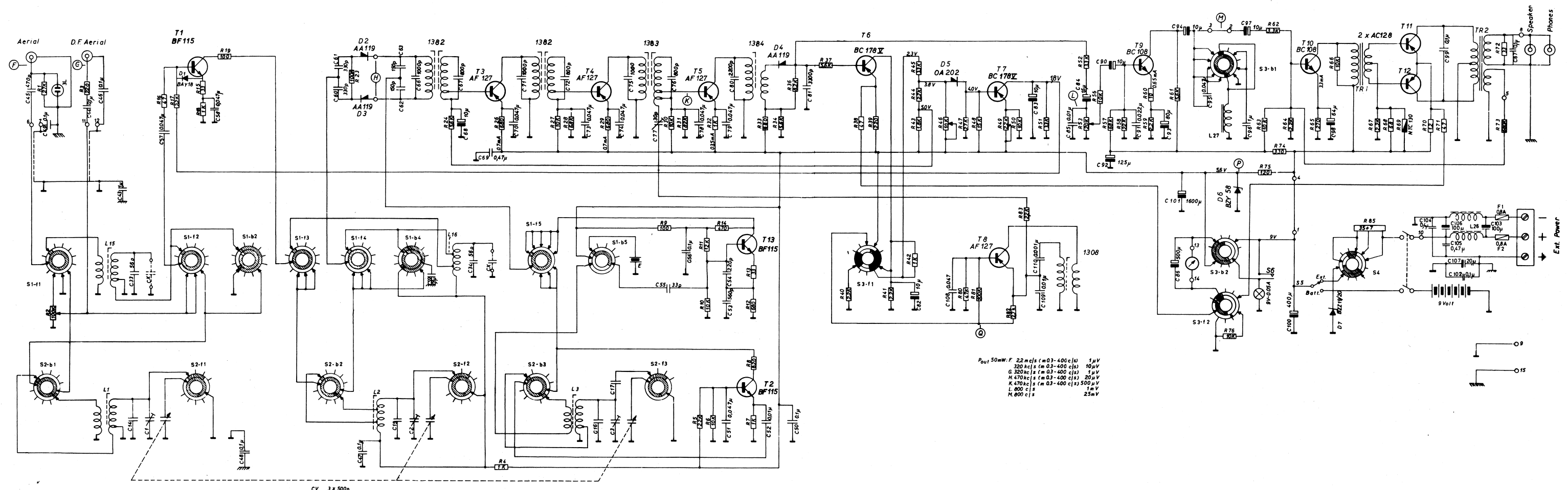
P_{out} 50mW: F 22mc/s (m03-400cs) 1 μ V
 G 30kc/s (m03-400cs) 10 μ V
 H 470kc/s (m03-400cs) 1 μ V
 K 470kc/s (m03-400cs) 20 μ V
 L 800cs/s (m03-400cs) 500 μ V
 M 800cs/s 1mV
 N 800cs/s 25mV

All switches are viewed from knob-end and with rotor in extreme anti-clockwise position.
 Tuned circuits are shown only for channel E and SW-band.

Dette diagram omfatter SAILOR 66T, serie C
 Dieses Schaltschema betrifft SAILOR 66T, Serie C
 This diagram refers to SAILOR 66T, series C
 Ce schéma comprend SAILOR 66T, série C
 Este diagrama comprende SAILOR 66T, serie C

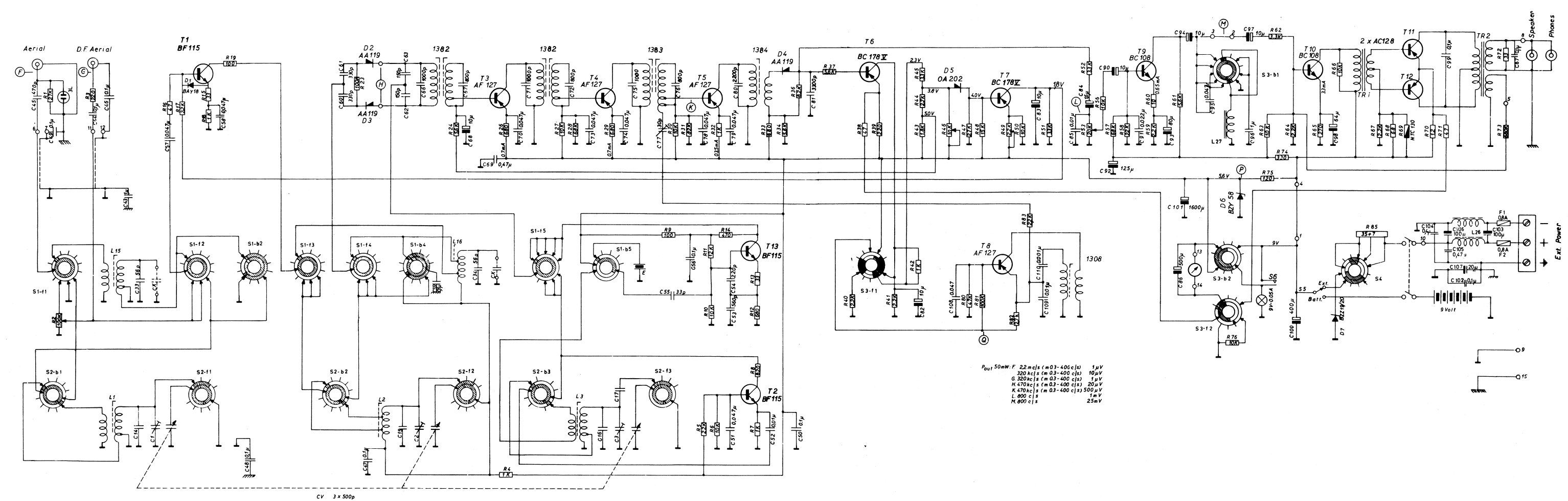


Dette diagram omfatter SAILOR 66T, serie D og E
 Dieses Schaltschema betrifft SAILOR 66T, Serie D und E
 This diagram refers to SAILOR 66T, series D and E
 Ce schéma comprend SAILOR 66T, série D et E
 Este diagrama comprende SAILOR 66T, serie D y E



All switches are viewed from knob-end and with rotor in extreme anti-clockwise position.
 Tuned circuits are shown only for channel E and SW-band.

Dette diagram omfatter SAILOR 66T, serie D, E, F og G
 Dieses Schaltschema betrifft SAILOR 66T, Serie D, E, F og G
 This diagram refers to SAILOR 66T, series D, E, F og G
 Ce schéma comprend SAILOR 66T, série D, E, F og G
 Este diagrama comprende SAILOR 66T, serie D, E, F og G



All switches are viewed from knob-end and with rotor in extreme anti-clockwise position.
 Tuned circuits are shown only for channel E and SW-band.

Dette diagram omfatter SAILOR 66T, serie D, E, F, G, H, J, K og L
 This diagram refers to SAILOR 66T, series D, E, F, G, H, J, K og L
 Dieses Schaltchema betrifft SAILOR 66T, Serien D, E, F, G, H, J, K og L
 Ce schéma comprend SAILOR 66T, série D, E, F, G, H, J, K og L
 Este diagrama comprende SAILOR 66T, serie D, E, F, G, H, J, K og L

